

SBA 型

Inch Super Ball Bushing

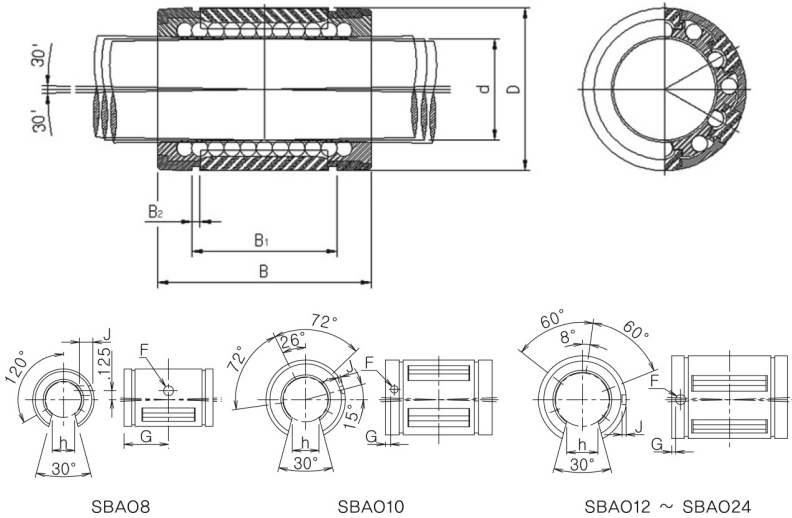


SBAO 型

Inch Super Ball Bushing



호칭형번	구멍개수	중량(N)	호칭형번	구멍개수	중량(N)	사용축경		주요치수		
						d (inch)	공차(inch)	D (inch)	B (inch)	공차(inch)
SBA4	4	0.04	-	-	-	0.25	0 -0.0005	0.5	0.75	0 -0.015
SBA6	4	0.06	-	-	-	0.375	0 -0.0005	0.625	0.875	0 -0.015
SBA8	4	0.19	SBAO8	3	0.15	0.5	0 -0.0005	0.875	1.25	0 -0.02
SBA10	5	0.46	SBAO10	4	0.37	0.625	0 -0.0005	1.125	1.5	0 -0.02
SBA12	6	0.55	SBAO12	5	0.45	0.75	0 -0.0005	1.25	1.625	0 -0.02
SBA16	6	1.18	SBAO16	5	0.98	1	0 -0.0005	1.5625	2.25	0 -0.02
SBA20	6	2.16	SBAO20	5	1.86	1.25	0 -0.0005	2	2.625	0 -0.025
SBA24	6	3.34	SBAO24	5	2.84	1.5	0 -0.0005	2.375	3	0 -0.03



사이즈				윤활유 주입구				볼직경 (inch)	기본정격하중	
B ₁ (inch)	공차 (inch)	B ₂ (inch)	D ₁ (inch)	h (inch)	F (inch)	G (inch)	J (inch)		C(N)	Co(N)
SBA4	0 -0.015	0.039	0.4687	-	-	-	-	1/4	265	355
SBA6	0 -0.015	0.039	0.588	-	-	-	-	1/16	420	530
SBA8	0 -0.02	0.0459	0.8209	0.313	0.136	0.625	Thru Hole	3/32	1020	1290
SBA10	0 -0.02	0.0559	1.059	0.375	0.105	0.125	0.039	1/8	1780	2220
SBA12	0 -0.02	0.0559	1.176	0.438	0.136	0.125	0.059	1/8	2090	2620
SBA16	0 -0.02	0.0679	1.4687	0.563	0.136	0.125	0.047	5/32	3780	4710
SBA20	0 -0.025	0.0679	1.8859	0.625	0.201	0.1875	0.09	3/16	5470	6800
SBA24	0 -0.03	0.0859	2.2389	0.75	0.201	0.1875	0.09	7/32	6580	8220

※ 1 inch=25.4mm
1N ≒ 0.102kgf